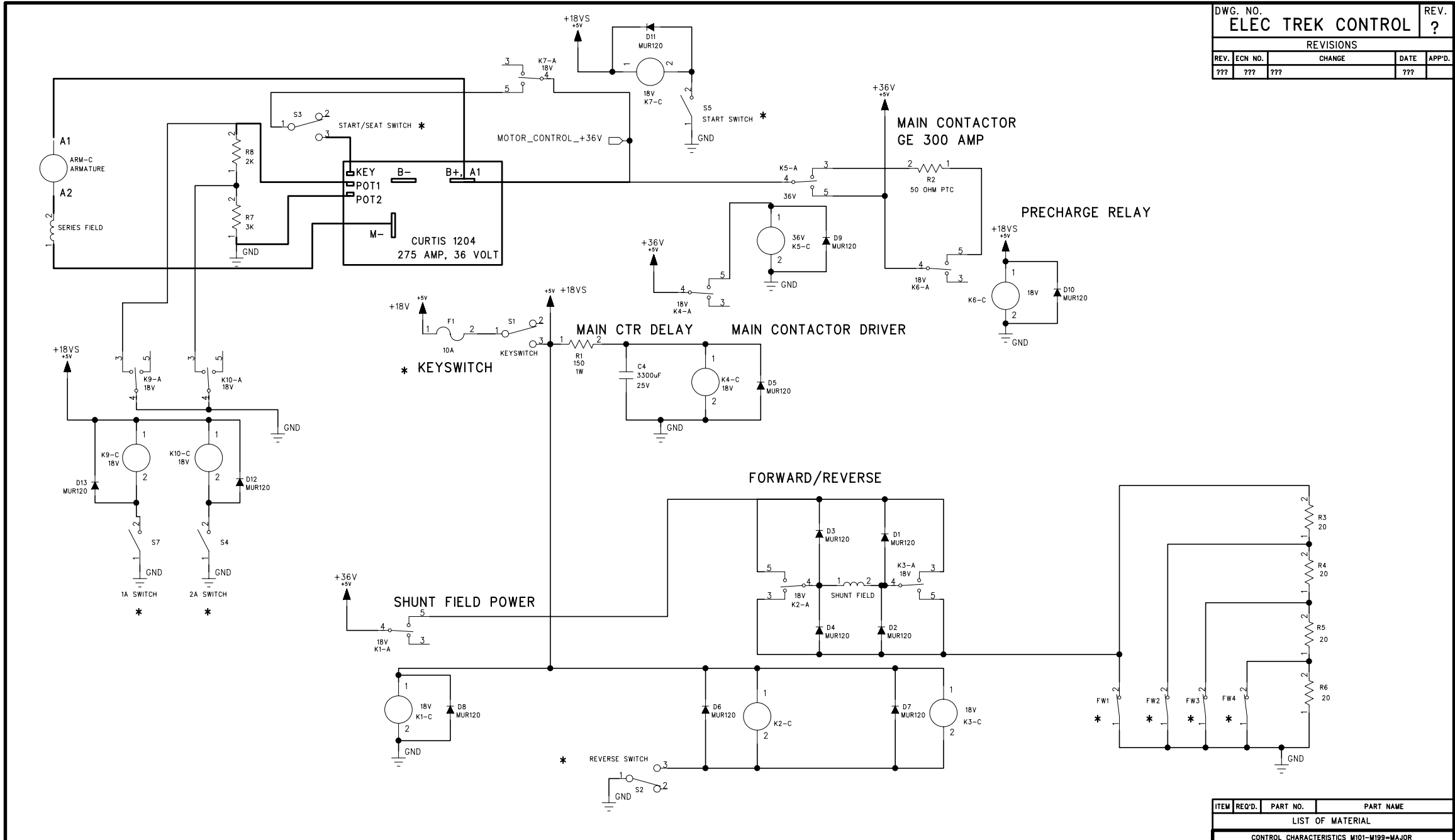


DWG. NO.	ELEC TREK CONTROL			REV.	?
REVISIONS					
REV.	ECN NO.	CHANGE	DATE	APP'D.	
???	???	???	???	???	



* THESE SWITCHES ARE PART OF THE ORIGINAL TRACTOR

ALL RELAYS ARE SONG CHUAN 845HN-1C-S-18VDC
18V, 610 OHM COIL, 10 AMP CONTACT RATING

ITEM	REQ'D.	PART NO.	PART NAME
LIST OF MATERIAL			
CONTROL CHARACTERISTICS M101-M199-MAJOR			
REF. ENG. SPEC. K-1			
CONFIDENTIAL			
THIS PRINT AND THE SPECIFICATIONS ARE THE PROPERTY OF AMETEK, TECHNICAL MOTOR DIVISION, AND HAS BEEN ISSUED WITH THE UNDERSTANDING THAT IT WILL NOT BE REPRODUCED, REVEALED TO OR USED FOR THE MANUFACTURE FOR OTHERS AND WILL BE RETURNED UPON REQUEST.			
DIMENSIONING & TOLERANCING IN ACCORDANCE WITH ANSI Y14.5M-1982			
DO NOT SCALE DRAWING			
UNLESS OTHERWISE SPECIFIED		TOLERANCES	
REMOVE BURRS	XX	XXX	ANGLES
BREAK SHARP EDGES .005/.020	+/- .02	+/- .005	+/- 0 DEG. 30'
MATERIAL	???	TREATMENT	
SCALE	???	CODE	75511
CAD FILE NAME	ELECTREK.SCH	FINISH SPEC.	
ENG. APP'D.		NEXT ASSY.	WT.
DATE:		DATE:	DATE:
DRWN BY:	R. HOWER	DATE:	CHD BY:
DATE:	???	DATE:	DATE:
TITLE	ELEC TREK CONTROL		SIZE
			C
AMETEK		E-NO.	SHEET
ROTRON TECHNICAL PRODUCTS		REF.	? OF ?
KENT, OH 44240		DWG. NO.	ELECTREK.SCH